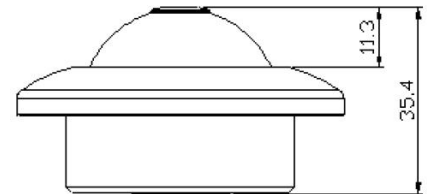
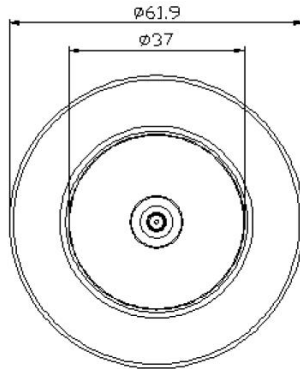
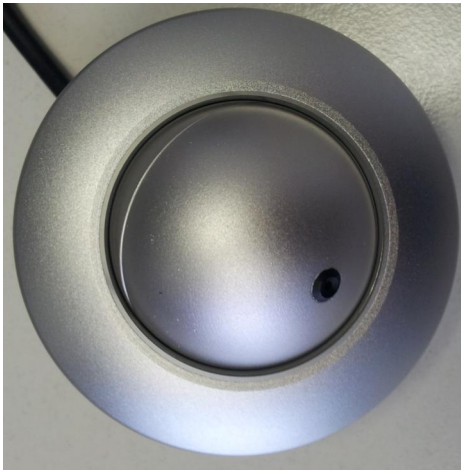


## Technical Specifications AXB-200CWG



Alle Angaben in mm.

### Technical Specifications:

#### Hardware:

- ⇒ Sensor: 1/4 " CMOS
- ⇒ Voltage: 5 V DC (via USB port)
- ⇒ Lens: 2.8mm, F2.5 ⇒ USB: USB 2.0 port
- ⇒ Cable length: 3 m
- ⇒ Dimensions: 61.9 x 35.4 mm (D x H) overall
- ⇒ 37 x 11.3 mm (D x H) camera ball
- ⇒ Housing: aluminum, silver
- ⇒ Required hole for installation of the camera  $\varnothing$  44 mm

#### System:

- ⇒ Resolution: VGA 640 x 480
- ⇒ System requirements: Windows XP SP2, SP3 (32 bit), Windows 7  
Linux from kernel .18 UVC support
- ⇒ Frame rate: Up to 25B / S PAL - 30B / S NTSC

#### Player / Presentation Software

- ⇒ Windows: e.g. AM Cap, VLC, Video Cap
- ⇒ Linux: e.g. NP Player

### **WG Security Products, Inc.**

591 W. Hamilton Ave Suite 260  
Campbell, CA 95030 USA

Web: [www.wgspi.com](http://www.wgspi.com)

Email: [info@wgspi.com](mailto:info@wgspi.com)

D: Tel. +408 241 8000