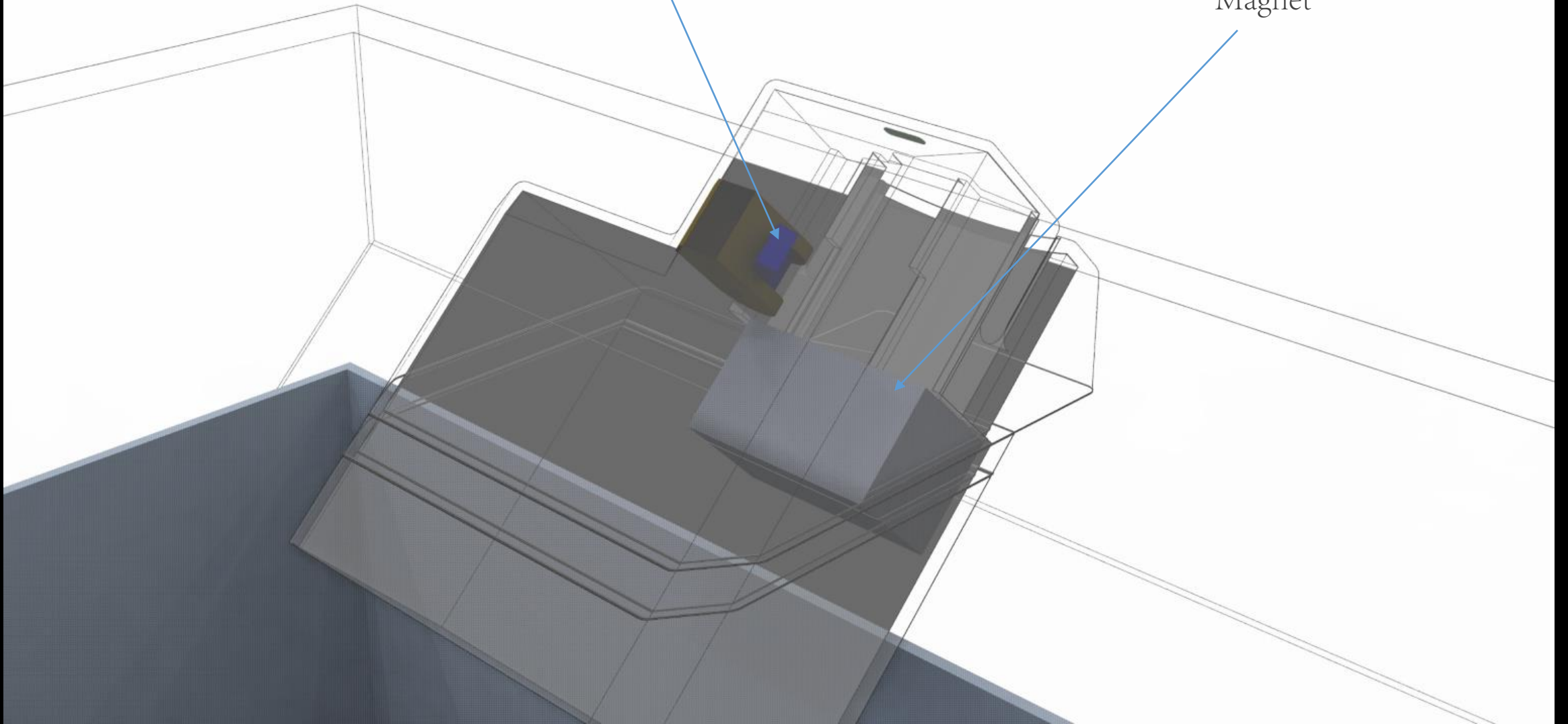
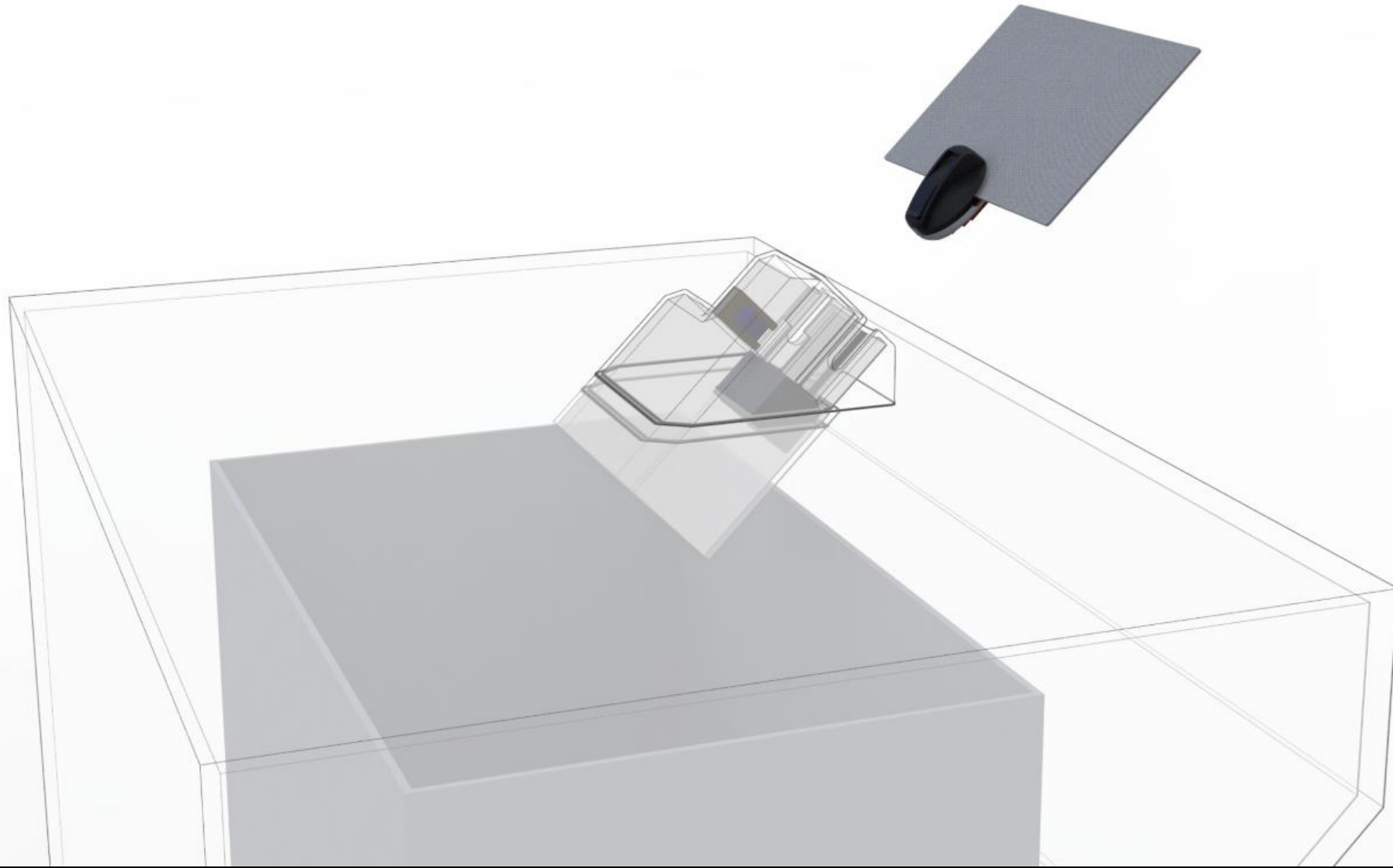


Swing Arm

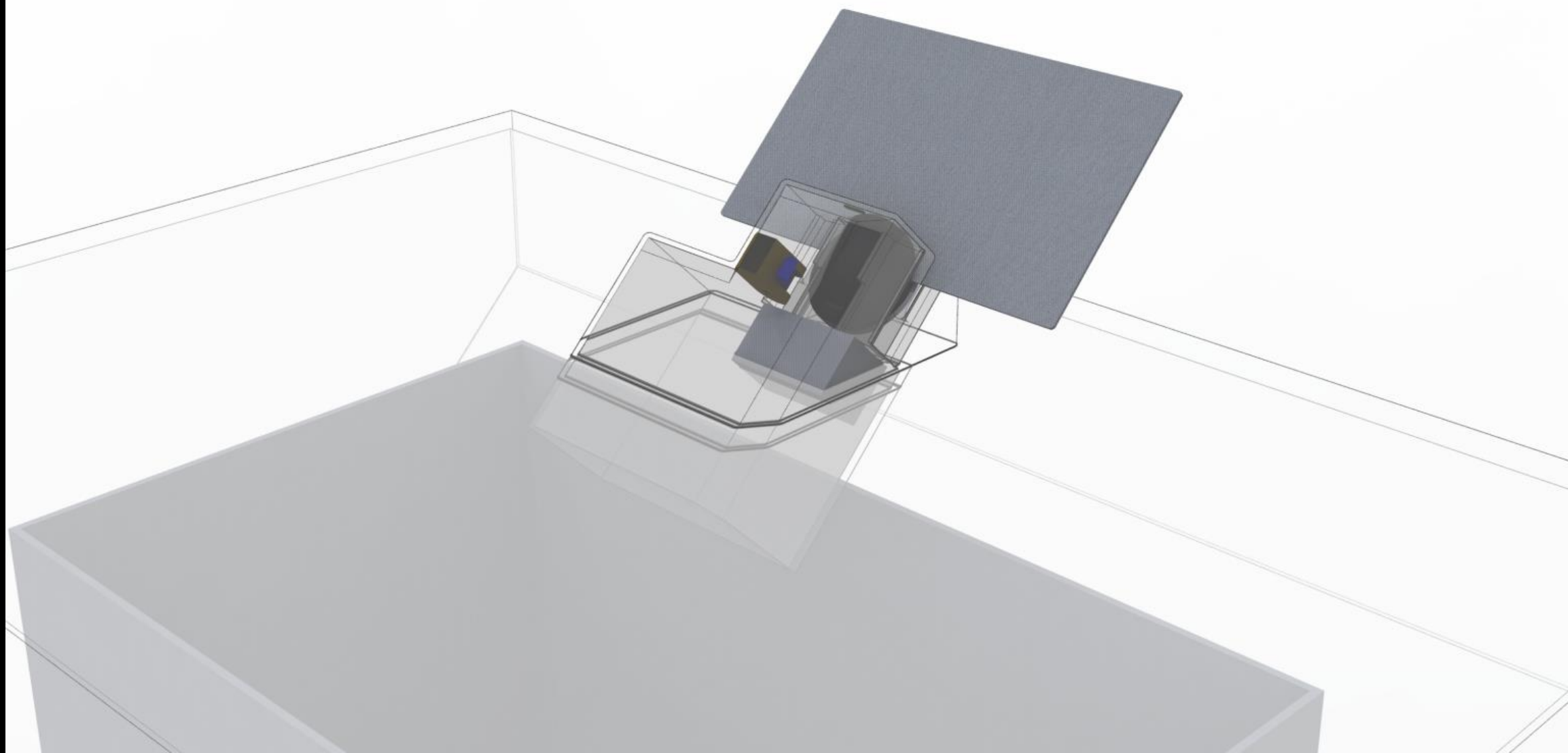
Magnet



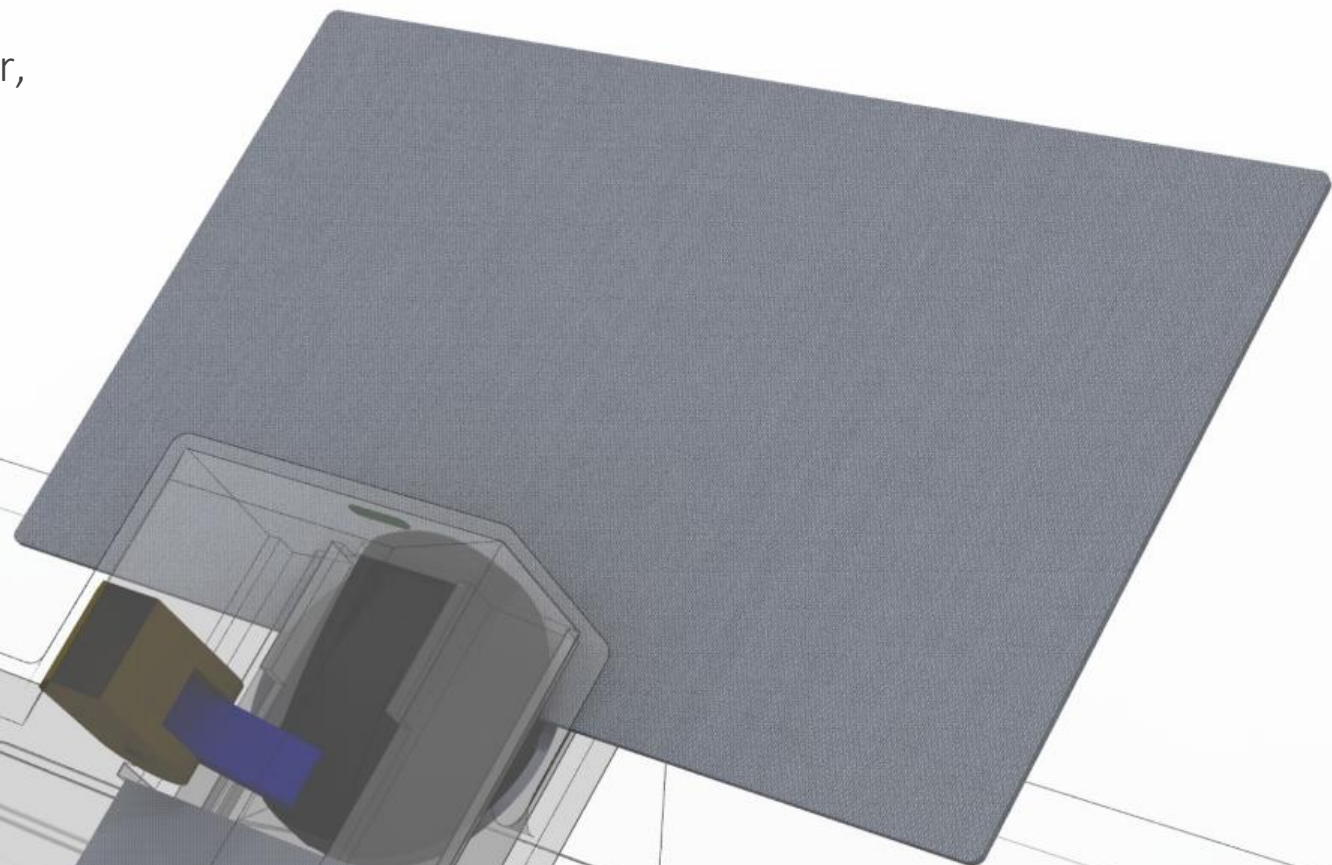
Tag can only be inserted into the detacher one way



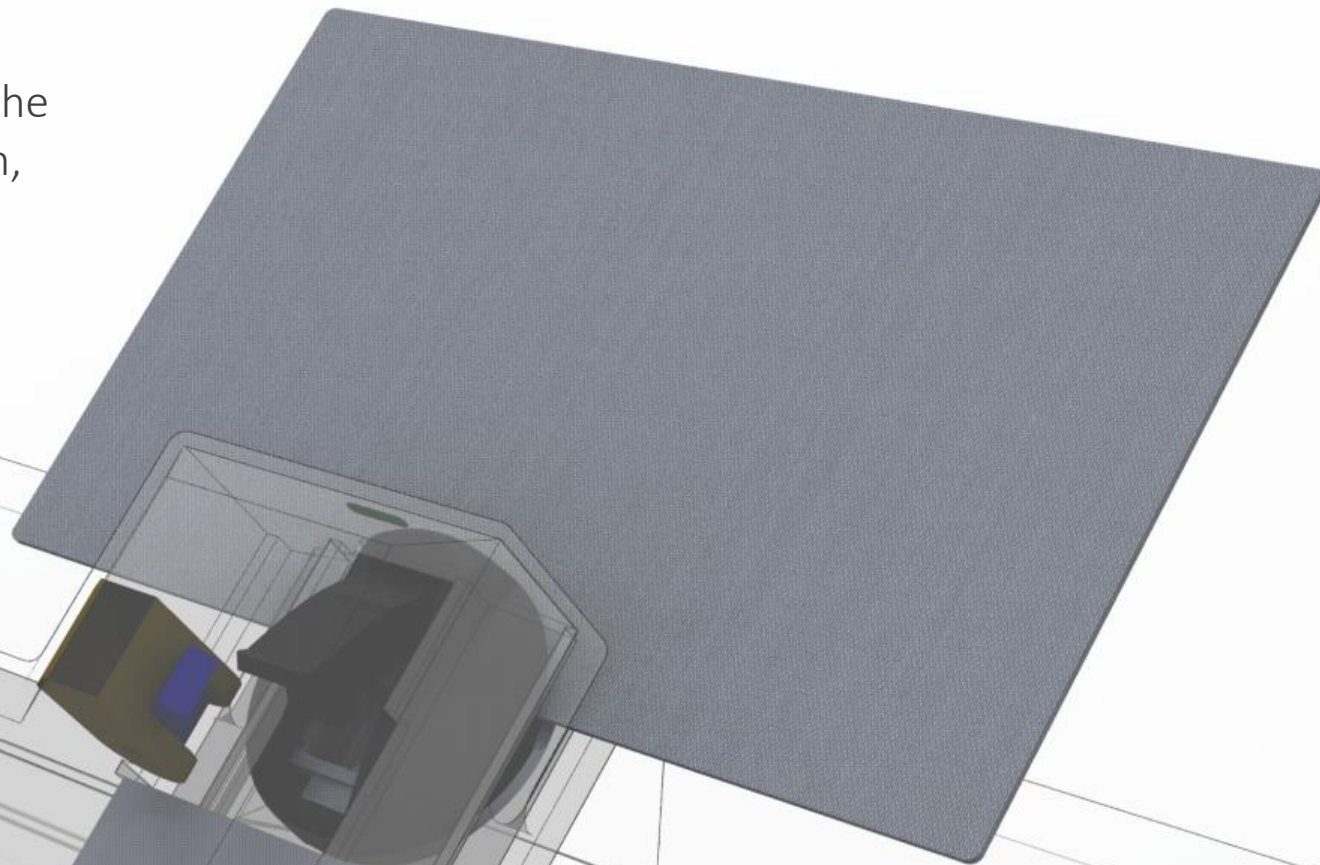
Tag enters the detacher



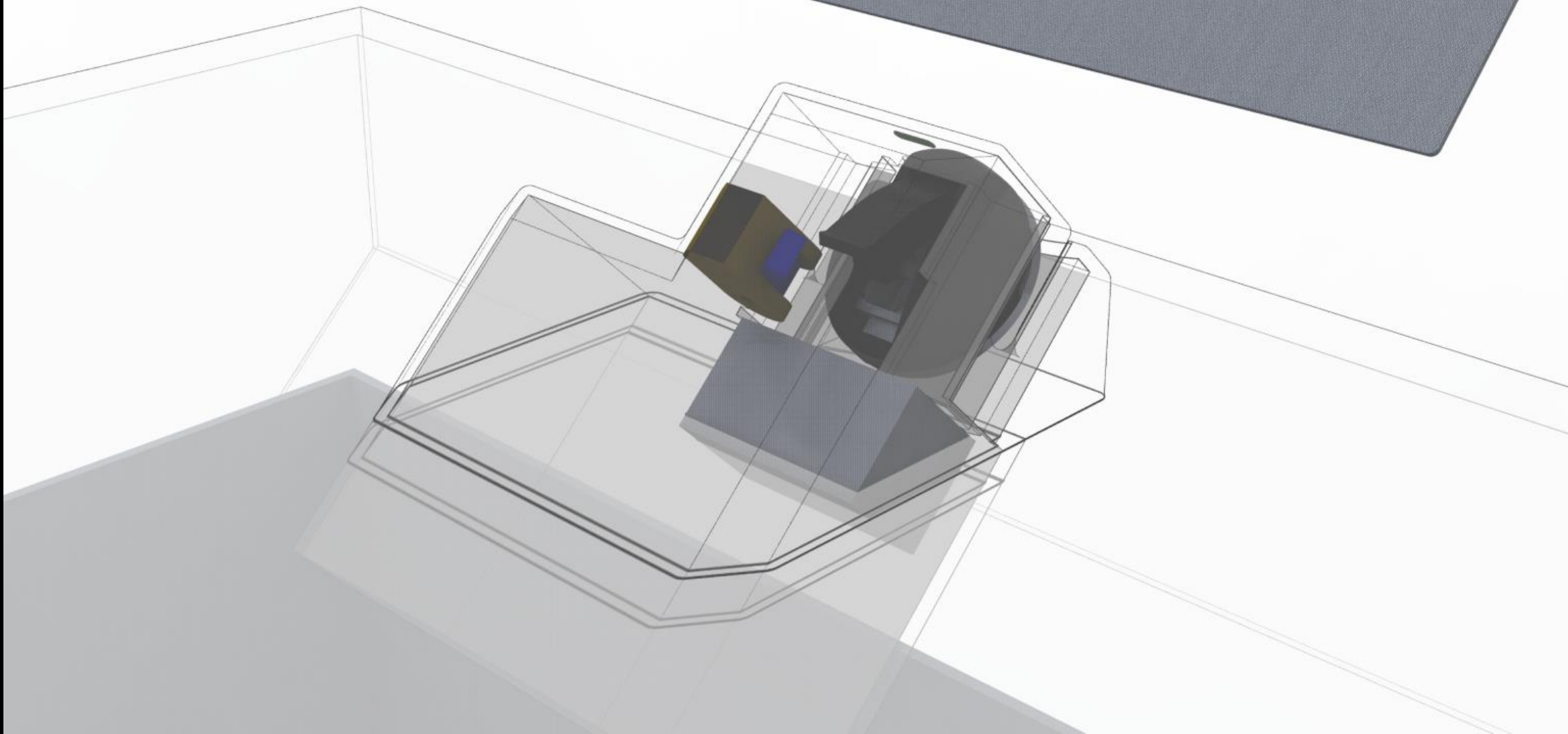
When the tag enters the detacher,
the arm pushes downward to
release the flap cover (lock)



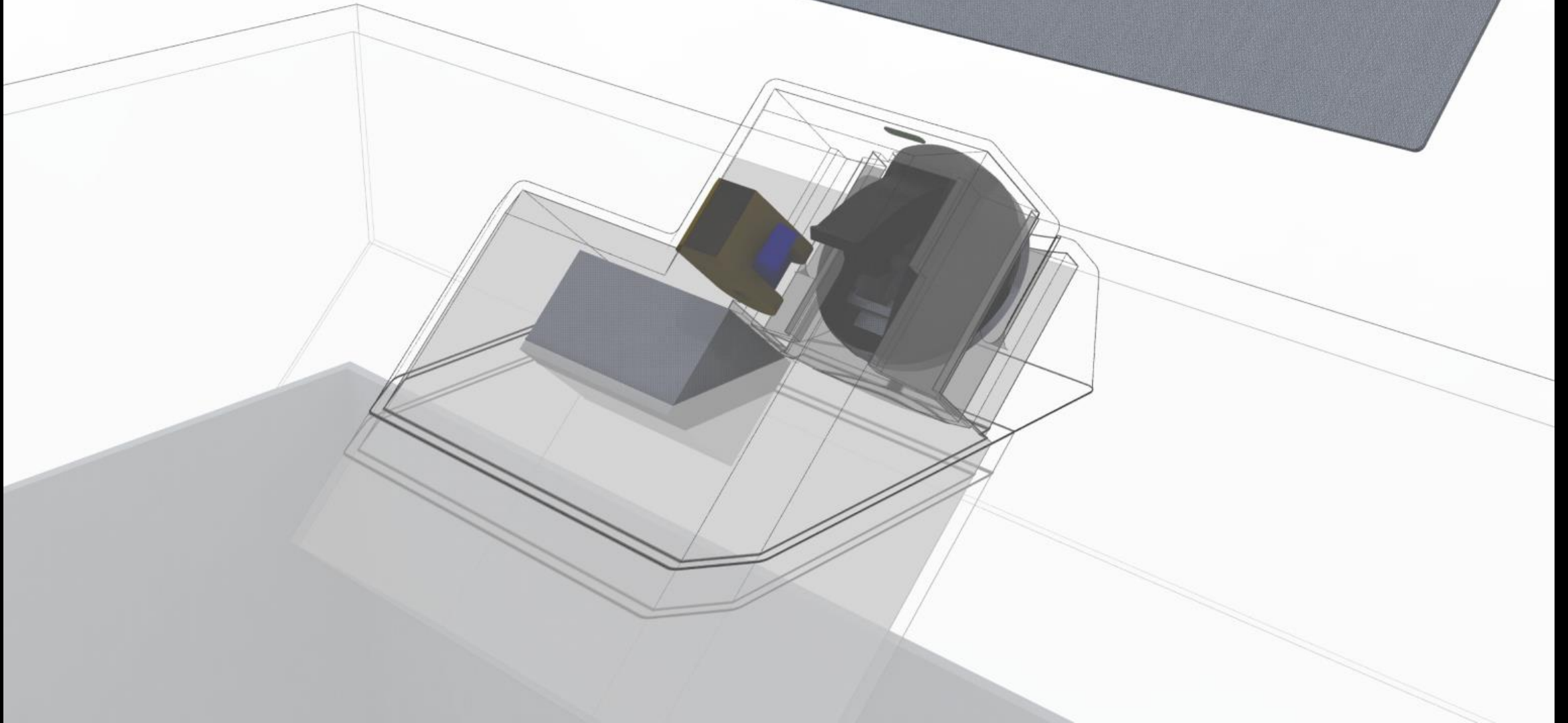
The tag is pulled down by the magnet, the swing arm returns to its normal position, the flap on the tag opens to release the tag from the garment.



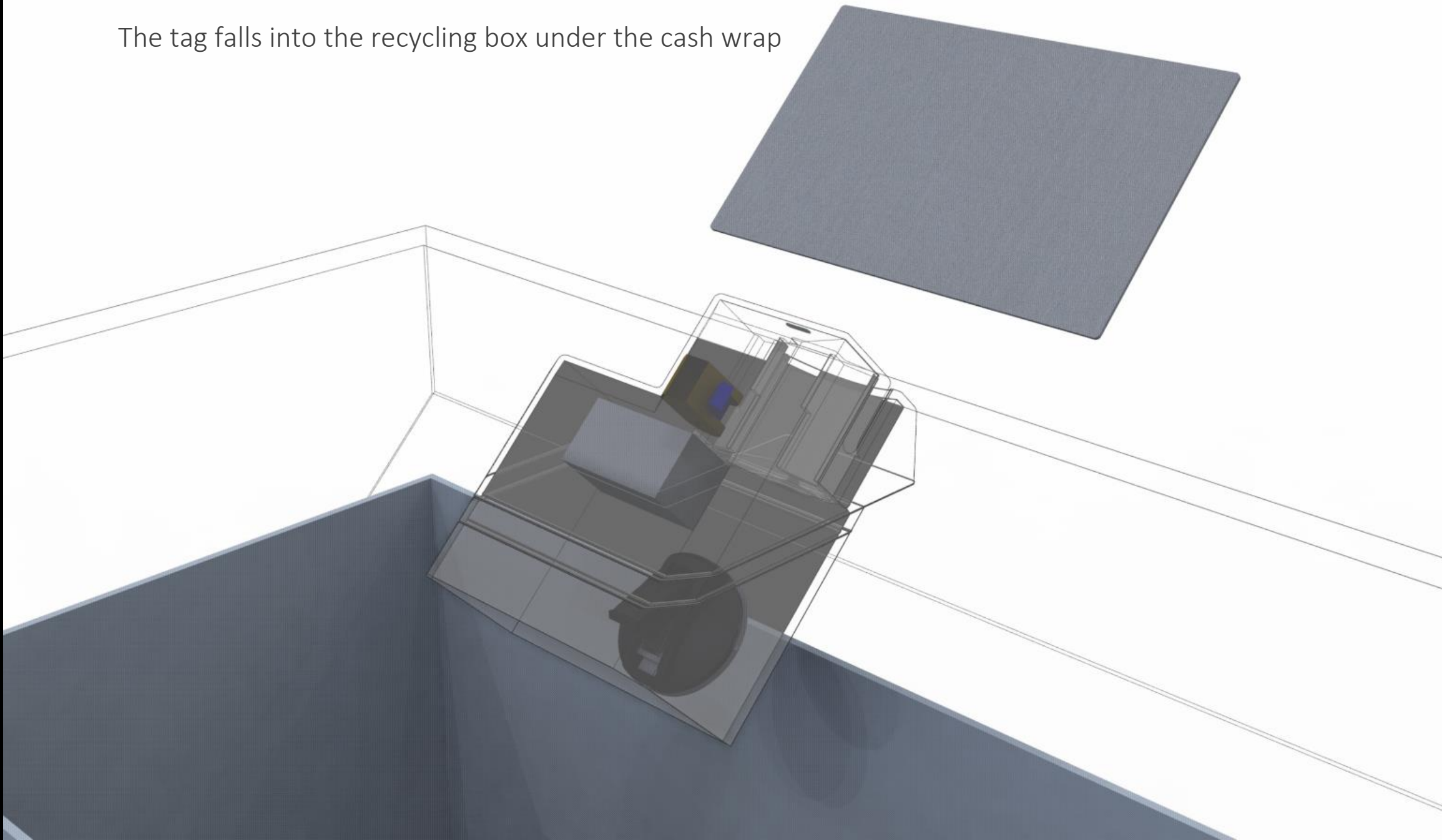
The garment can now be removed

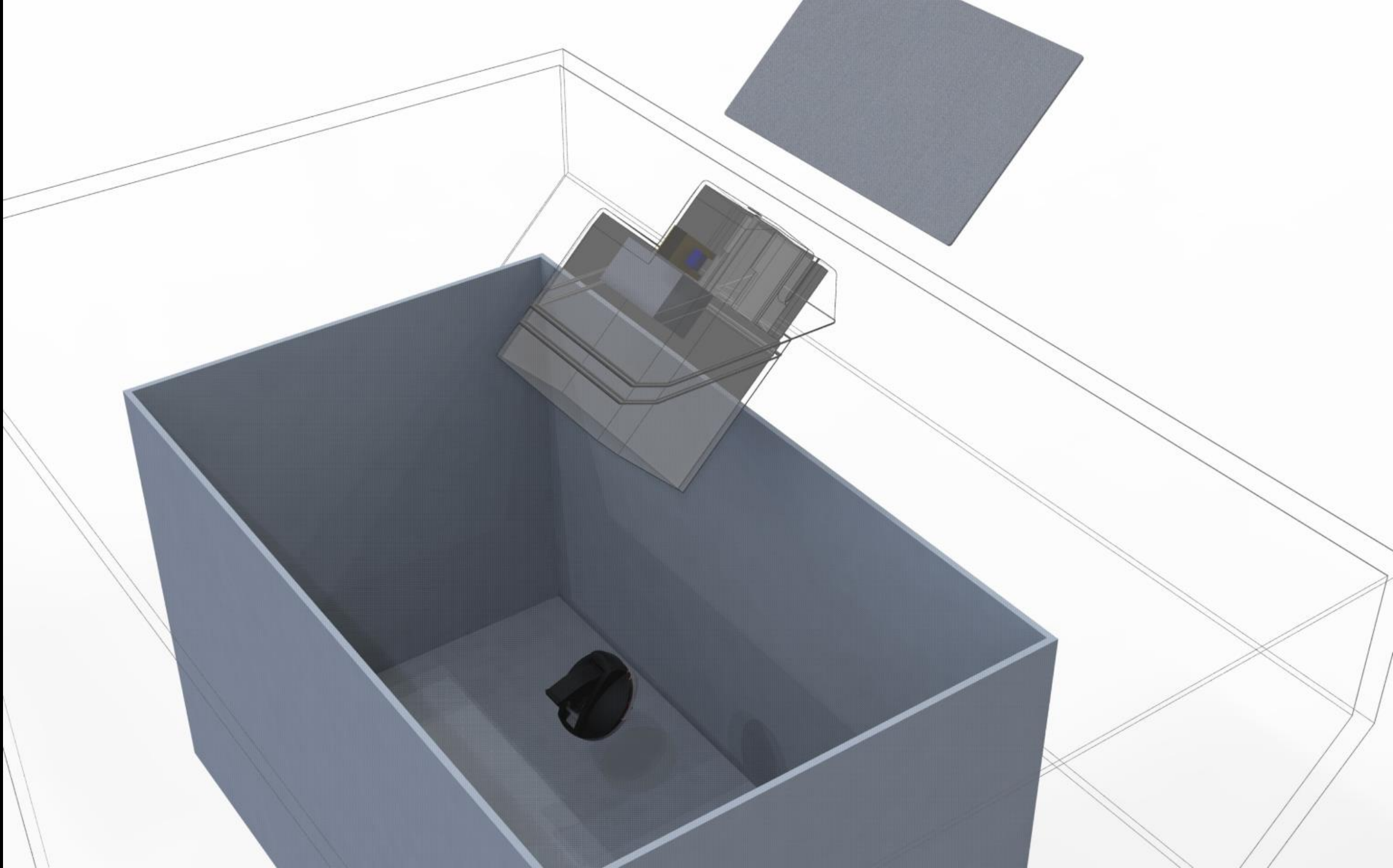


Magnet slides open



The tag falls into the recycling box under the cash wrap





The magnet returns to its starting position, ready to unlock the next tag

