

Ad Guard XL Wi-Fi



Zero False Alarm* 58 KHz Acoustomagnetic EAS

*our patented system algorithm avoids false alarms when walking through the system.

Ad Guard XL Wi-Fi

More advertising Space

Effective theft protection and additional advertising space
AD Guard XL is the big brother of the Ad Guard article surveillance family.

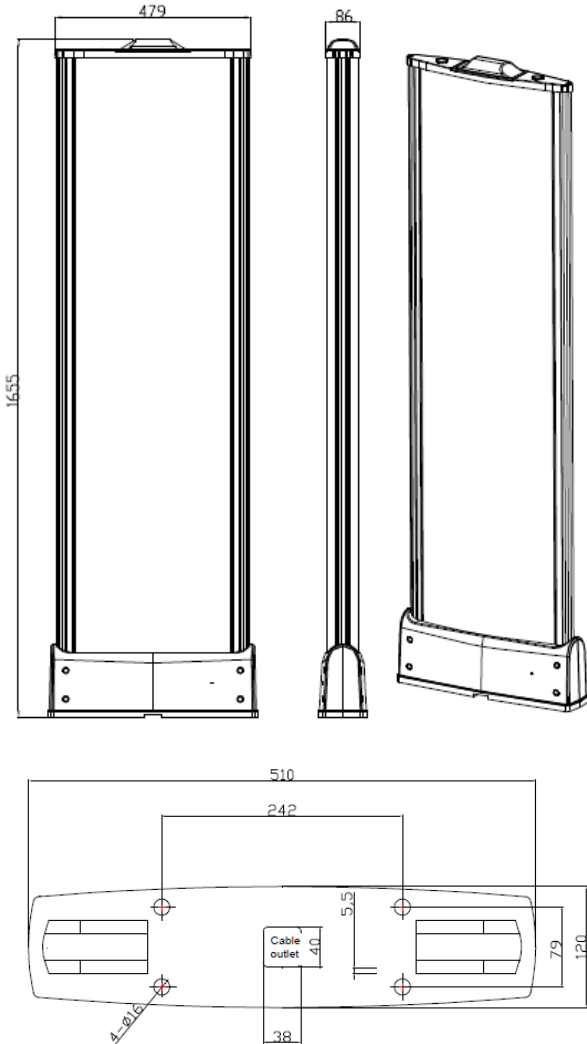
Because advertisement sometimes need more space for better recognition or antennas need larger circuits for enhanced performance. AD Guard XL provides up to 9ft clear passage width between the antennas.

Most customers use the advertising space for permanent image communication.

The system software can be optimized to your selection of resonator or ferrite based hard tags or labels.

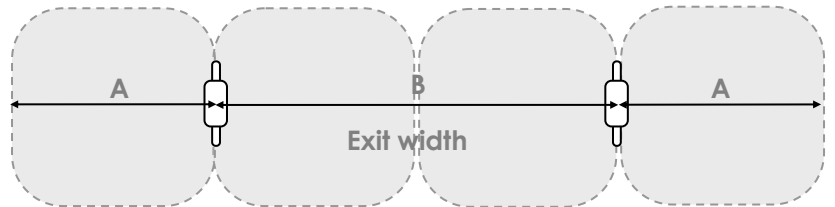


Ad Guard XL Wi-Fi Specifications



Specifications:

Working frequency range: 58 kHz Power supply: 110 V / AC - 24 V / AC Power consumption: 39 W Ambient temperature: 0 ° - 30 ° C Weight: 27 kg Antenna dimensions: 1655x429x76 mm Dimensions of base: 356x120 mm Format of the advertising space: 1470 x 425 mm



Alarm zone in feet			
Tag Type	A	B	A
LabelsType MUS-DR	4ft	240	4ft
Hardtag Super Tag	4ft	240	4ft
Micro Shell, Micro Pencil, Lanyard Tag	4ft	240	4ft
Shell, Mid Pencil	5.3ft	320	5.3ft
Super Pencil	190	380	190

Remark:

For physically reasons a reduced detection performance can happen in the middle between transceiver antennas. We recommend the use of powerful WG Tags built to work perfect with this system. Under performing labels will reach lower detection levels. And lower detection range.

To avoid alarms by labels in the close proximity of the antennas, a safety zone with no tags (about 40-45% of the exit width) should be kept on all sides.

AM EAS systems are radio transmission systems on the approved working frequency of 58 KHz. Devices being unsuppressed or not corresponding to recent standards (EN 300330 / EN 301489-3) can cause interference and negatively affect system performance. Changes in the environment and surrounding may require a retuning of any EAS System.

**Product Codes:
Components**

WG WFAGX Ad Guard XL Wi-Fi Antenna Smart Power Supply Antenna,
WG SPS 24 Power Supply and Cable)

Configured Sets:

- K WFAGX-1 Antenna-System 1
- K WFAGX-2 Antenna-System 2
- K WFAGX-3 Antenna-System 3
- K WFAGX-4 Antenna-System 4



Ad Guard / Ad Guard XL Wi-Fi Applications:



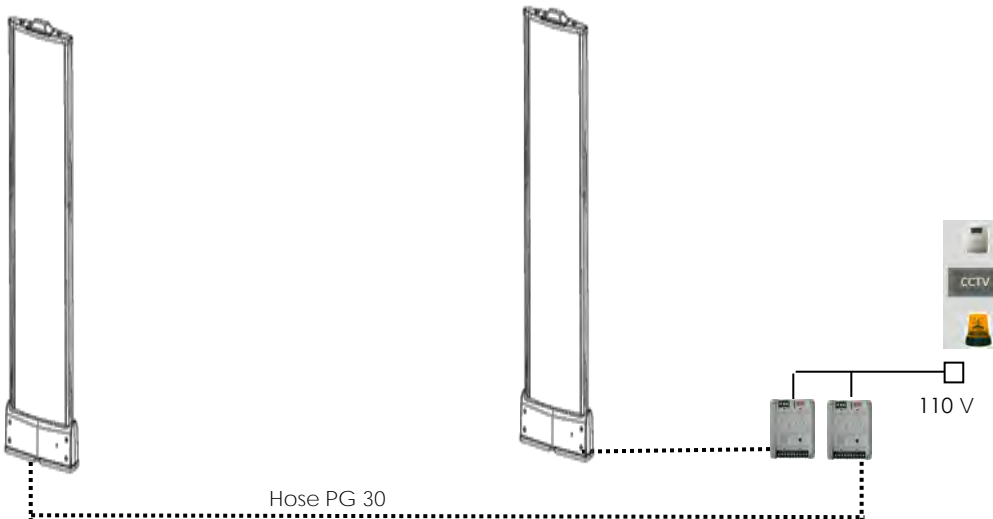
Wi-Fi Ad Guard antennas are common in every retail environment. Whether the advertising space transports a permanent advertising claim or for your changing promotions. It is your choice.

You can professionally print the Ad on durable PP material from your PDF file format 147 x 28 cm for Ad Guard) or 147 x 42.5 cm for Ad Guard XL.

Some design examples:



Installation description for Wi-Fi Ad Guard and Ad Guard XL



Preparations:

110 V, on common phase with all Plastic PG30 hose between power supply and system controller.

Dry contacts for connection to external alarms and CCTV systems at the SPS power supply

The antennas are mounted by means of drilled and cemented into the ground stud. Underfloor heating or water pipes in areas of installation are important to announce. For floor heating optional special steel floor adhesive plates can be supplied, on which the antennas can be screwed, without having to perform drilling.

The alarm is audible and visual directly on the antenna or at an optional remote alarm unit. Each antenna is fed by a 24 V voltage through a system cable from the SPS Smart Power Supply. Cables are usually run through PG-30 plastic protection pipes in the ground or cable tunnels. Since the antennas are operated with 24 V low voltage only, the cables may be placed directly into a grid in the floor and covered by silicone. Connection to the WG EAS remote tuning service is easily made by WiFi. The system controller is ready prepared.

The Smart Power Supply (SPS) is not only a power supply, it offers some very useful troubleshooting functions and therefore should be accessible for staff i.e. in the counter, the managers room or possibly incorporated in an IT or CCTV-19" Rack. It is connected via the enclosed 8 m long six-pin cable or for distances up to 60 m a through a cable with larger diameter (i.e. WG EAS System cable Type 2 with i.e. 7x1,5mm). SPS has connection joints for dry contacts to trigger a CCTV-system in case of EAS alarm or jammer alarm. Also the alarm volume can be adjusted remotely from the SPS. The exclusive TX-switch is a great support for the store people if they search for labels in the security zone. SPS can be clicked on a standard DIN-rail (Din 46277-3) holder system.

Preparations:

110V (min. 3x2.5 mm²) on dedicated circuit, at the same phase (L1 recommended) with the accessories. Fuse minimum 16 A. Current consumption max. 50 W per system, and 10/120 W (continuous / peak-pulse) per deactivator. Power sockets shall be un twistable to avoid phasing issues. PG 30 Plastic conduits (recommended. 30 or 32mm)with inserted pull wire, btw. antenna and power supply as indicated in the project outline.

Smart Power Supply (SPS) Specifications.

The universal power supply for security systems:

Each system master or extender antenna requires a SPS. We recommend to have the SPS accessible for the store staff to disable and reboot (1) the system in case of a malfunction.

The 110 V (16 A slow blow fuse) connection is made via terminal box (2) by a regular min. 3x2.5 mm² cable. Dedicated circuit (separate fuse), and common phase (L1) with all acoustomagnetic accessories is recommended. Power consumption max 50 W per system, per deactivator 10/120 W (continuous or pulse).

If a system gives spontaneous alarms the TX switch (4) helps to verify if maybe is a system tuning or synchronization issue or a user error (tags too close) is the reason.

The alarm volume (5) can be varied. Dry contacts for connection to external alarm consoles or CCTV-Systems systems are applied to the output terminal block (6).

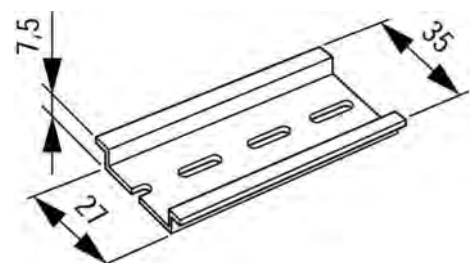
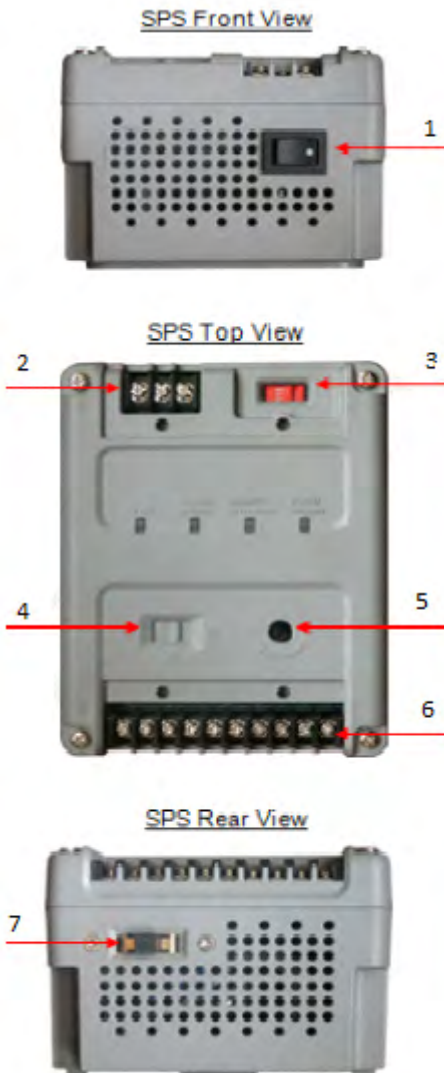
Plastic conduits with pull wire (PG 30 recommended.) between SPS and antenna shall be prepared as specified in the respective project outline and drawings.

Dimensions:

SPS-Power Supply: 110 x 138 x 80 mm 1,8 kg

Product Codes:

WG SPS Smart Power Supply



SPS can be clicked into a standard DIN 46277-3 rail holder system.

We recommend to install the SPS in a dedicated box, locked but easy accessible for service needs.