

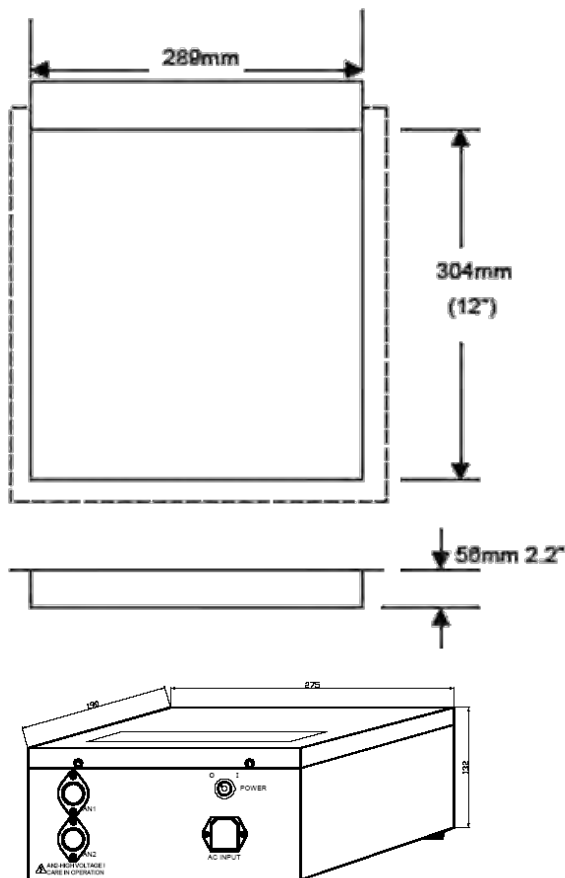
Deactivation



Zero False Alarm* 58 KHz Acoustomagnetic EAS

*Our patented system algorithm avoids false alarms when walking through the system.

Fast Pad Deactivator



Extremely powerful deactivator for all acoustomagnetic labels.

Mounting:
horizontal or vertical
Countertop / flush mount

Operating Frequency: 58 kHz Detection height: up to 12 cm
Speed: to 2 labels / Sec.
Signaling: visual and audible Operating temperature:
0° - 49° C (32-120° F)
at 0-85% humidity
Electricity: 100/120 VAC - 60 Hz
220/240 VAC - 50 Hz

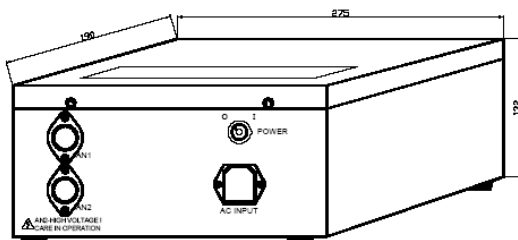
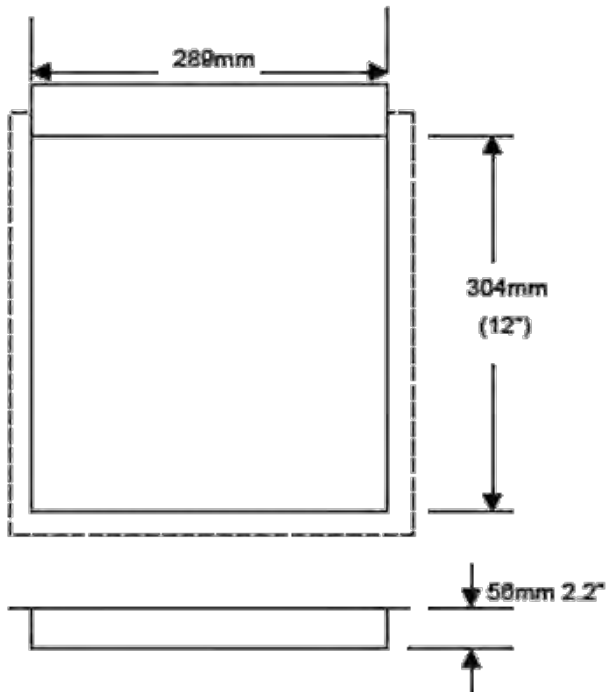
Dimensions / weight:

Deactivator:
295 x 280 x 47 mm, 4.5 kg
Mounting bracket
External dimensions:
320 x 307 x 57 mm, 0.4 kg
Neckline: 304 x 289 mm
Controller
275 x 190 x 140 mm, 3.0 kg

Scope of delivery:

Fast Pad Deactivator pad
Control electronics with key switch
2 Keys
Mounting bracket for sub-base and mounting incl. Covering plate installation template
Connecting cable 1.5 m
230 V connection cable documentation

Fast Pad POS Deactivator



Extremely powerful deactivator for all acoustomagnetic labels, special built for un-der counter mounting in check stands with conveyor belts.

Mounting:
horizontal or vertical
under counter mounting with included mounting bracket

Operating Frequency: 58 kHz
Detection height: up to 12 cm
Speed: to 2 labels / Sec.
Signaling: visual and audible
Operating temperature:
0 ° - 49 ° C (32-120 ° F)
at 0-85% humidity
Electricity: 100/120 VAC - 60 Hz
110 VAC - 50 Hz

Dimensions / weight:

Deactivator:
295 x 280 x 45 mm, 4.5 kg
Mounting bracket
External dimensions:
320 x 307 x 57 mm, 0.4 kg
Neckline: 304 x 289 mm
Contoller: 275 x 190 x 140 mm, 3.0 kg

Scope of delivery:

Fast Pad POS Deactivator pad
Control electronics with key switch
2 Keys
Mounting bracket for sub-base and mounting incl. Covering plate
installation template
Connecting cable 1.5 m
110 V connection cable
documentation

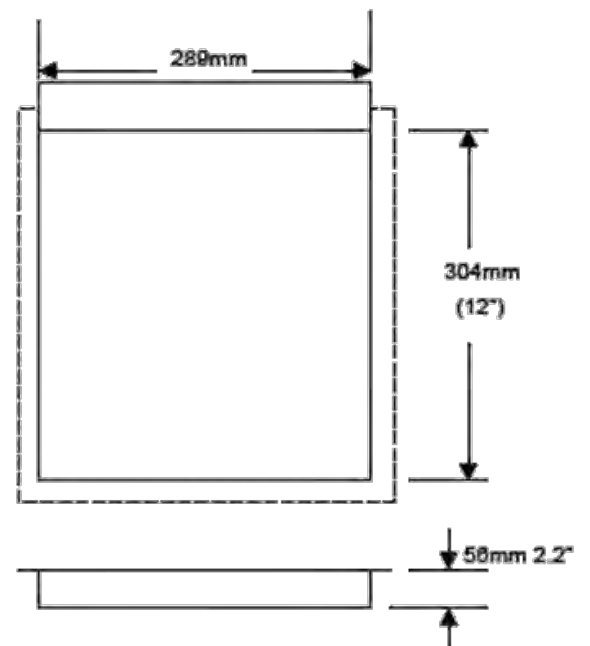
Fast Pad POS deactivator installation under conveyor belt:



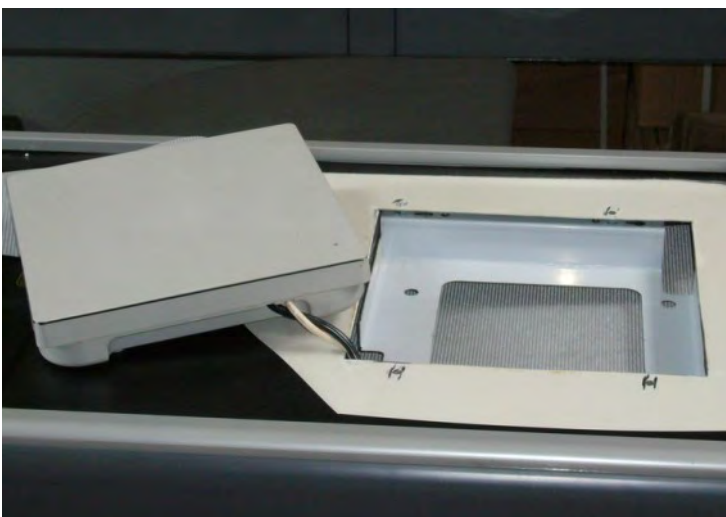
Please check warranty agreements of the check stand manufacturer first. We recommend the physical installation below the conveyor of a check stand should be done by a specialist.

Installation steps:

- Remove conveyor Band
- Customize section of the stainless plate in conjunction with the accompanying cardboard template and deburr edges.
- Mount bracket and place deactivator into bracket
- Cover deactivator and cover edges with included adhesive sheet to avoid unnecessary wear of the roller band.
- Close conveyor Band



Deactivator in operation



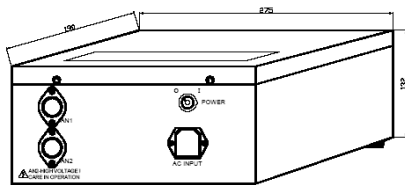
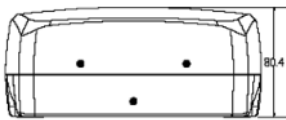
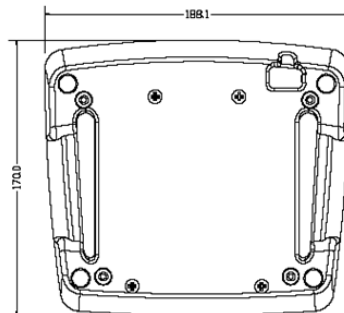
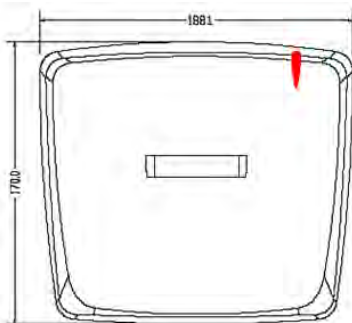
Stealth Pad Deactivator



Powerful deactivator for all acoustomagnetic labels.

Mounting:
horizontal or vertical
Counter top / flush mount

Operating Frequency: 58 kHz
Detection height: up to 12 cm
Speed: to 2 labels / Sec.
Signaling: visual and audible
Operating temperature:
0 ° - 49 ° C (32-120 ° F)
at 0-85% humidity
Electricity: 100/120 VAC - 60 Hz
220/240 VAC - 50 Hz



Dimensions / weight:

Deactivator
188.1 x 170 x 80.4 mm, 3.0 kg
Flush mount
External dimensions:
Cutout
205 x 185 mm
Controller 275 x 190 x 140 mm, 3.0 kg

Scope of delivery:

Stealth Pad deactivator pad
Control electronics with a key switch
2 Keys
Mounting bracket for sub-base and
mounting incl. Covering plate
installation template
Connecting cable 1.5 m
110 V connection cable documentation

Stealth Pad II Deactivator



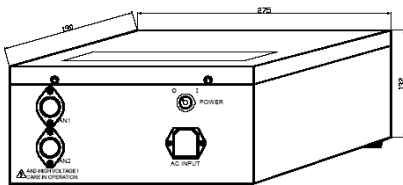
Easy to integrate deactivator for all acoustomagnetic labels.

Mounting:
horizontal or vertical or Flush mount

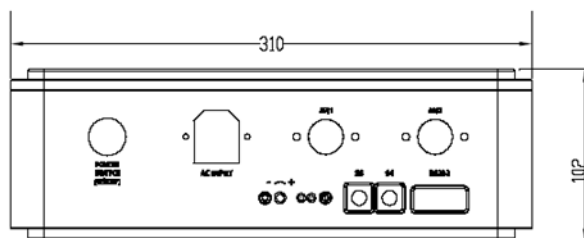
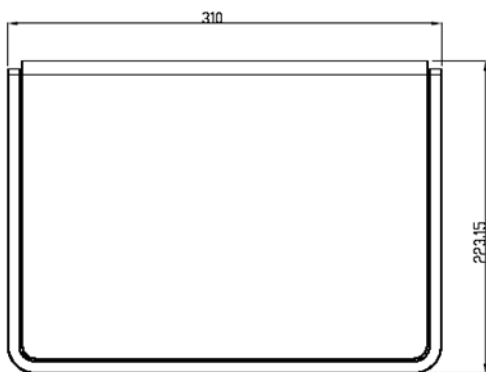
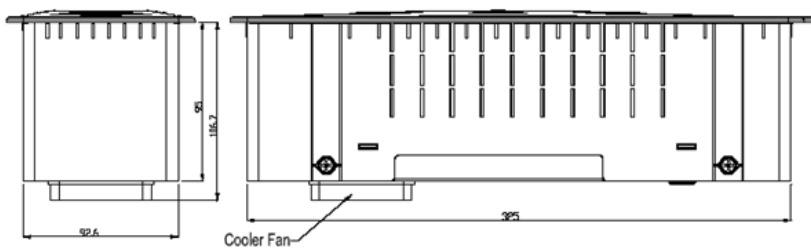
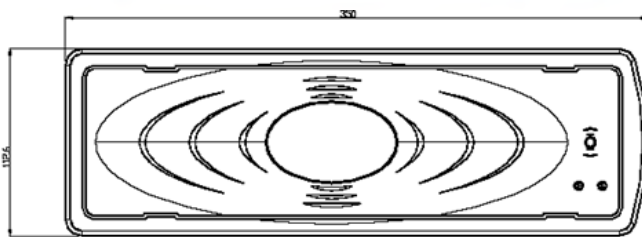
Operating Frequency: 58 kHz
 Detection height: up to 12 cm
 Speed: to 2 labels / Sec.
 Signaling: visual and audible
 Operating temperature:
 0 ° - 49 ° C (32-120 ° F)
 at 0-85% humidity
 Electricity: 100/120 VAC - 60 Hz
 220/240 VAC - 50 Hz

Dimensions / weight:
 Deactivator
 236 x180 x 65 mm, 3.0 kg
 Cutout 215 x 165
 Controller
 275x190x140 mm, 3.0 kg

Scope of delivery:
 Stealth Pad II deactivator pad
 Control electronics with key switch
 2 Keys
 Mounting bracket for sub-base and
 mounting incl. Covering plate
 installation template
 Connecting cable 1.5 m
 110 V connection cable
 documentation



Lynx Deactivator



Slim Deactivator for all Acousto Magnetic labels.

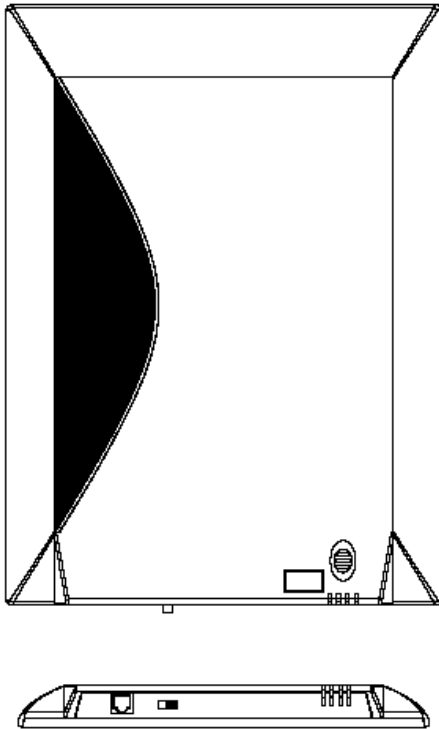
Mounting:
horizontal or vertical
Flush mount

Operating Frequency: 58 kHz
Detection height: up to 8 cm
Speed: to 2 labels / Sec.
Signaling: visual and audible
Operating temperature:
0° - 49° C (32-120° F)
at 0-85% humidity
Electricity: 100/120 VAC - 60 Hz
110 VAC - 50 Hz

Dimensions / weight:
Deactivator
188.1 x 170 x 80.4 mm, 3.0 kg
Under counter or flush mount
External dimensions:
235 x 200 x 86.6 mm, 0.24 kg
Cutout 205 x 185 mm
Controller 275 x 190 x 140 mm, 3.0 kg

Scope of delivery:
Stealth Pad II deactivator pad
Control electronics with key switch
2 Keys
Mounting bracket for sub-base and
mounting incl. Covering plate
installation template
Connecting cable 1.5 m
110 V connection cable documentation

Double Checker



You'll never again forget to remove a tag from a good customer's merchandise. The double checker recognizes tags and reminds the cashier before handing over the goods to the customer.

Often mounted under the countertop or just placed on the counter.

Dimensions 34 x 24 x 2,5 cm.

Electro-Mechanical Specifications

Mechanical - Double Checker Box

Dimensions (LxWxH) 34x24x2.5cm (13.4"x9.5"x1")
 Weight 0.7 Kg (0.3lb)

Electrical - Double Checker Box

AC Voltage 2 x 10vac @300mA
 (Stepdown from 110/220vac)
 Current Draw 0.1A rms
 Input Power < 3Watts

Recommended Power Supply (Not Provided)

AC Voltage 100-120vac or 220vac @50/60Hz
 (Stepdown to 2 x 10vac @300mA)
 Current Draw 0.027A rms
 Input Power < 6 Watts

Regulatory

Safety CE EN60950
 EMC FCC P91 WGDC58K



Product name: Double Checker

Product-Code: WG-DC58-1